

SKETCH 13991
ISSUE 1

MICRO SWITCH
a Honeywell Division
FED. MFG. CODE 91929

SWITCH-ENCLOSED

CATALOG LISTING
BAFI-2RNI8-RH
(RIGHT HAND)

CATALOG LISTING
BAFI-2RNI8-RH

ISSUE
M
16

PAGE 1 OF 1

REPLACES

RELEASE NO. SR-5195

CHECK

REVISIONS
A CO-73287M
GJW
11 MAY 95

CHECK

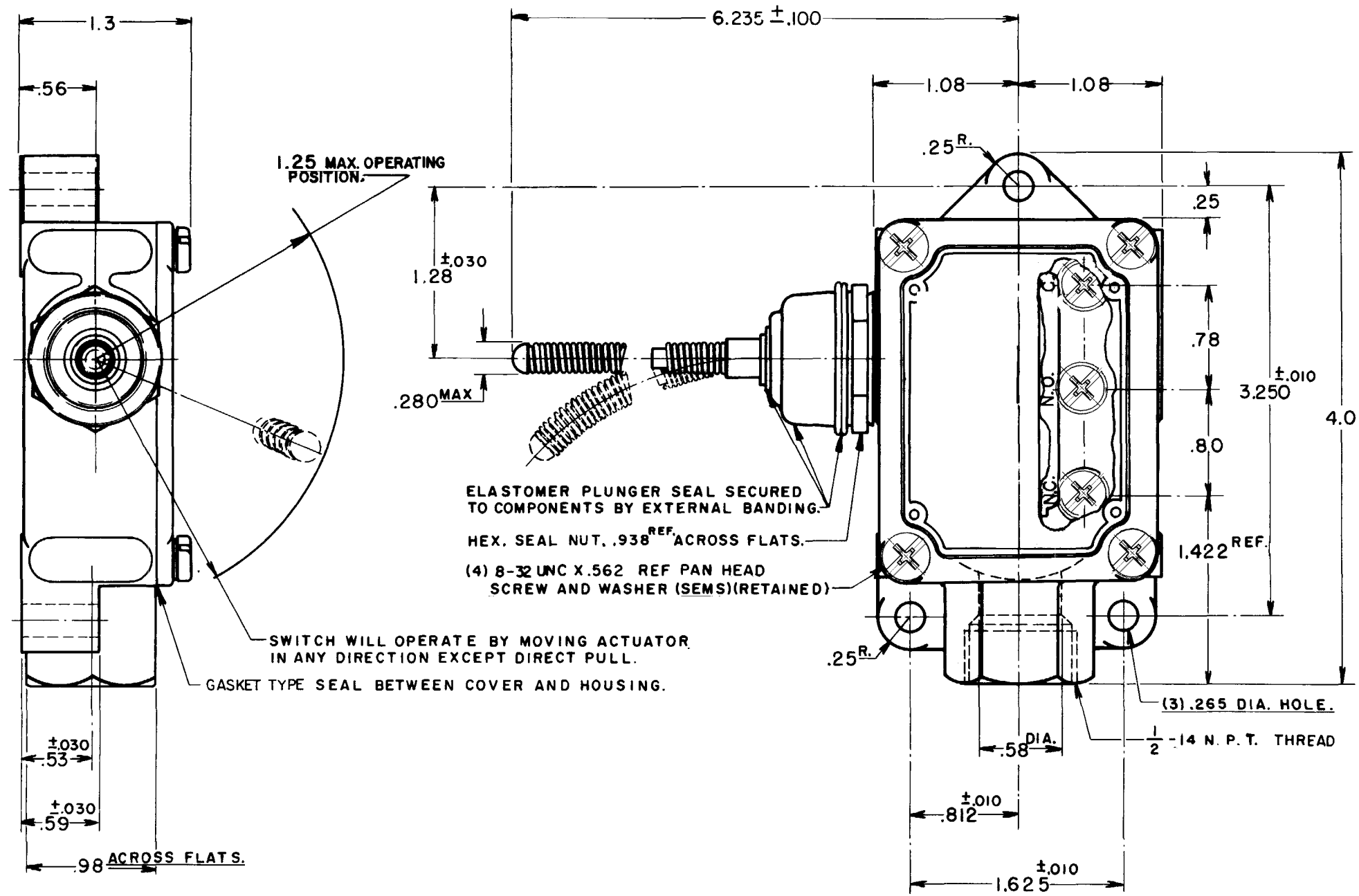
JJA 25 MAY 95

CHECK

GJW 11 MAY 95

FORMTEK

DRAWN



THIS DRAWING COVERS A PROPRIETARY ITEM AND IS THE PROPERTY OF MICRO SWITCH, A DIVISION OF HONEYWELL. THIS DRAWING IS NOT TO BE COPIED OR USED WITHOUT THE APPROVAL OF MICRO SWITCH

THIRD ANGLE PROJECTION

CHARACTERISTICS

ELECTRICAL DATA

OPERATING POSITION ----- 15° MAX
BASIC SWITCH REPLACEMENT -- BA-2R708-P7

CONTACT ARRANGEMENT
S P D T
L23 20A 125, 250 OR 480 VAC
10A 125 VAC "L"
1HP 125 VAC, 2HP 250 VAC
1/2A 125 VDC, 1/4A 250 VDC

SCALE FULL
DO NOT SCALE PRINT
UNLESS OTHERWISE SPECIFIED TOLERANCES ARE
ONE PLACE (.0) ±.030
TWO PLACE (.00) ±.015
THREE PLACE (.000) ±.005
ANGLES ±
WEIGHT

NOTE

1 - 8-32 UNC X (.219) BINDER HEAD, COMBINATION, TERMINAL SCREWS AND CUPWASHERS

